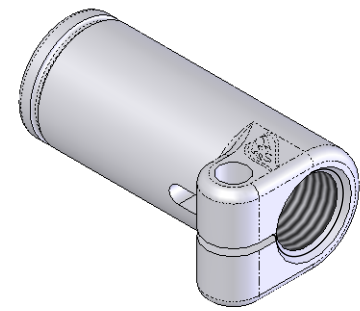


SECTION A-A



Specialty Products Company
 Longmont, Colorado USA • www.specprod.com

LINEAR mm[in]	ANGLE (deg.)
None \pm 1.00 [X \pm 0.040"]	None \pm 2.0°
.X \pm 0.50 [XX \pm 0.020"]	.X \pm 1.0°
.XX \pm 0.25 [XXX \pm 0.010"]	.XX \pm 0.5°

CONFORMS TO
 ASME Y14.5

15125

MATERIAL: 4140 PER SAE ASTM A 331
 FINISH: None